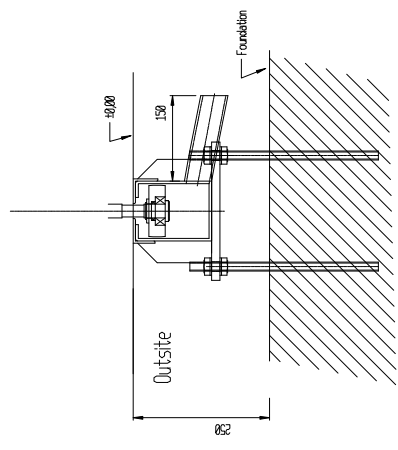


N.B. Foundation plans: The outer dimensions of the foundations correspond with the requirements of the ground investigation and a load capacity of 20 kN/m² must be provided. The engineer is responsible for ensuring that the foundations dimensions and reinforcement. Construction. We reserve the right to change the construction.



INDEX				
REVISION				
DATE				
BY				
CHKD				
SCALE	1:25			
Swing Gate Typ. FFE-V 4010x2300mm				
DWG No. 46494-18091				