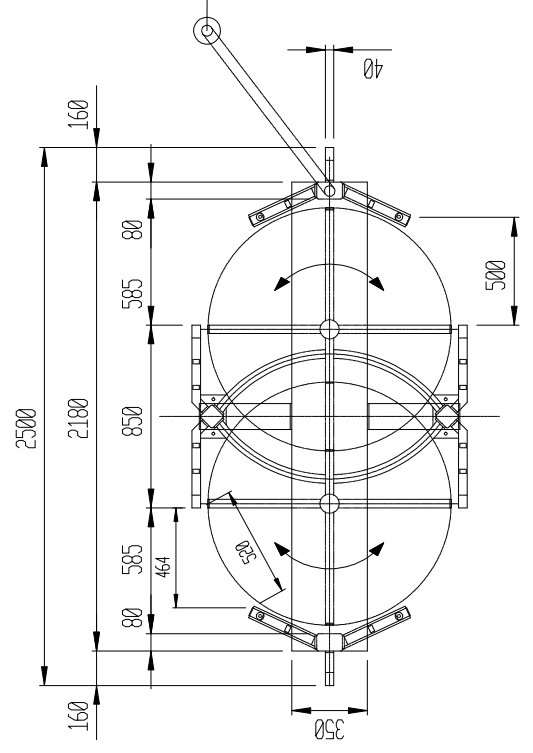
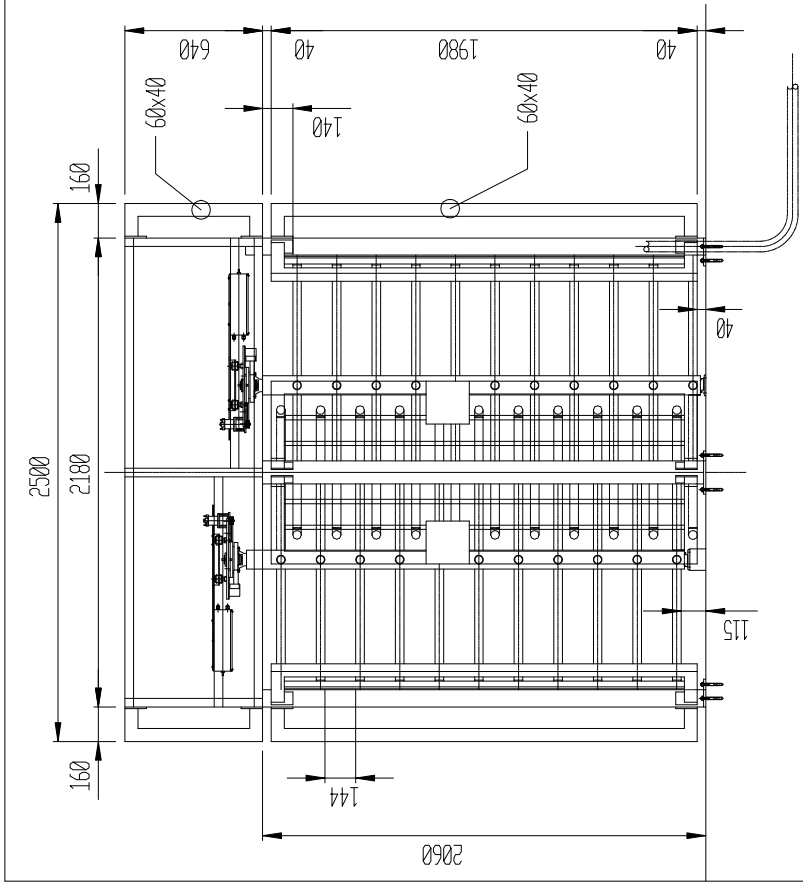


Power Cables NY-Y-J 3 x 2.5VU+2593  
 Control Cables A2YF(L) 2Y 10 x 2 x 0.8VU+2593  
 Color : .....  
 RAL : .....



Outside

INDEX	AMENDMENT	
DRAWN BY	DATE	NAME
CHECKED		
SCALE	Turnstile Typ: DKE-2-E90	
	DRAWING No. 48913/19203	
	Davidson and Pearson Ltd Unit 15, Chaucer Business Park, Kemsing, Kent, TN15 6TN Tel: 01732 765477 Fax: 01732 765478 e-mail: info@dandp.co.uk	